

MPT-Connection plates

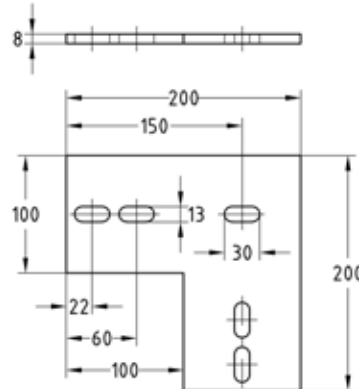
hot-dip galvanised

Application

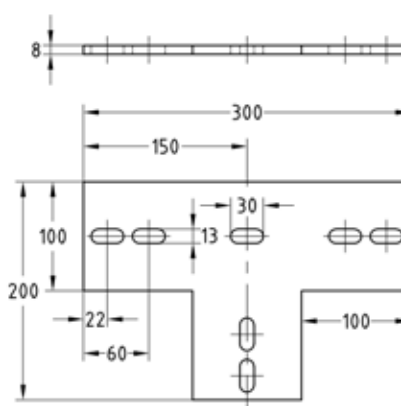
- Hot-dip galvanised connection plates for connection of MPT-Support profiles

Your advantages

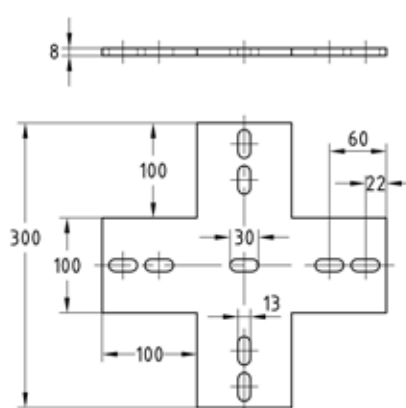
- Fast connection via oblong holes combined with MPT-Hammer head bolts
- High-quality hot-dip galvanising for universal implementation outdoors and indoors



Angle plate



T-connection plate



Cross plate

Design	For profiles	Length [mm]	Width [mm]	Thickness [mm]	Weight [kg]	Part no.	Sales unit	Pack unit
Angle plate	Q100-2.5, Q100-3.5, Q150-2.5	200	200	8	1.75	151338	1	Pieces
T-connection plate		300			2.33	151340		
Cross plate	Q100-2.5, Q100-3.5		300		2.9	151339		